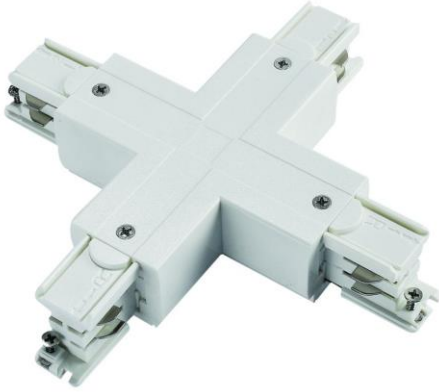
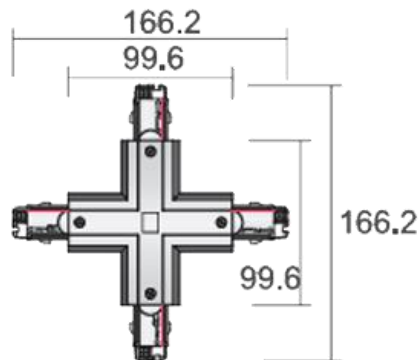


DATASHEET | Connection Parts – X Connector



Product code White (RAL 9010)	PRO-0437-W
EAN code White	8719747930571
Product code Grey (RAL 7040)	PRO-0437-S
EAN code Grey	8719747930588
Product code Black (RAL 9011)	PRO-0437-B
EAN code Black	8719747930595
Main materials	PC UL94V0 + Copper + Steel
Inner box / Outer box	5 / 60
Net weight per piece	230 g
Rated voltage per circuit	230V / 16A

Dimensions



Red line on the diagram indicates the polarity ridge.



16A