
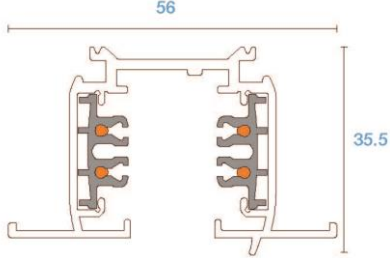
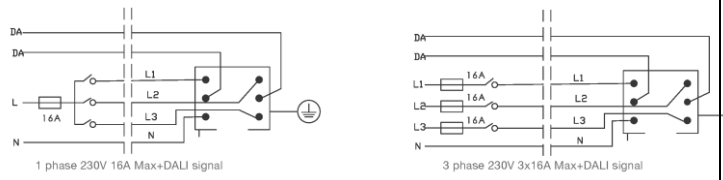
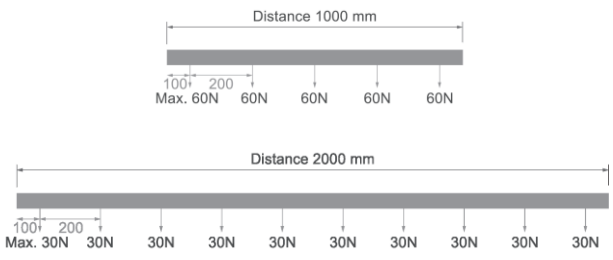
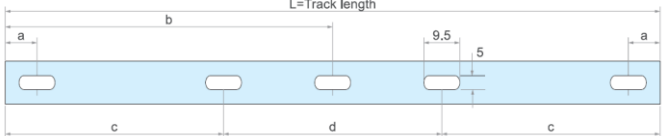


DATASHEET | Recessed 3 Circuit Track System – 2 meter (2000mm)

	Product code White (RAL 9010) EAN code White	PRO-R420-W 8719747931042
	Product code Grey (RAL 7040) EAN code Grey	PRO-R420-S 8719747931059
	Product code Black (RAL 9011) EAN code Black	PRO-R420-B 8719747931066
	Main materials	Copper + Steel
	Inner box / Outer box	1 / 4
	Net weight per piece	1840 g
	Rated voltage per circuit	230V / 16A

Dimensions	Connecting Diagram
	<p>3 circuit DALI track system</p> 

Mechanical Load Diagram	Fixing Point Dimensions																				
	<table border="1"> <thead> <tr> <th>L / mm</th> <th>a / mm</th> <th>b / mm</th> <th>c / mm</th> <th>d / mm</th> </tr> </thead> <tbody> <tr> <td>1000</td> <td>125</td> <td></td> <td></td> <td></td> </tr> <tr> <td>2000</td> <td>125</td> <td>998</td> <td></td> <td></td> </tr> <tr> <td>3000</td> <td>125</td> <td></td> <td>914</td> <td>1167</td> </tr> </tbody> </table> 	L / mm	a / mm	b / mm	c / mm	d / mm	1000	125				2000	125	998			3000	125		914	1167
L / mm	a / mm	b / mm	c / mm	d / mm																	
1000	125																				
2000	125	998																			
3000	125		914	1167																	



16A