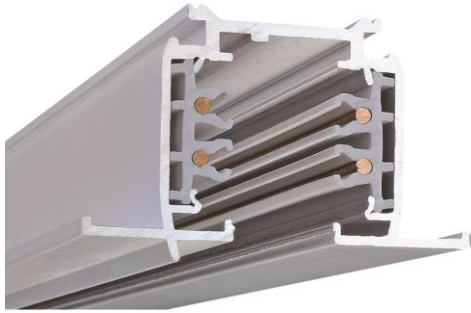
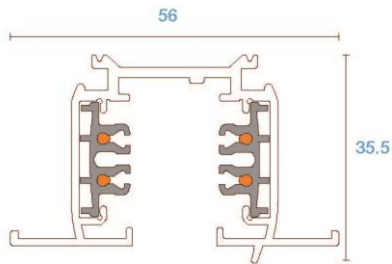


### DATASHEET | Recessed 3 Circuit Track System – 3 meter (3000mm)



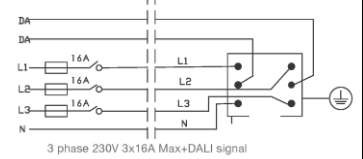
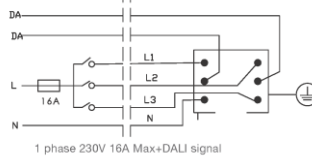
<b>Product code White (RAL 9010)</b>	PRO-R430-W
<b>EAN code White</b>	8719747931073
<b>Product code Grey (RAL 7040)</b>	PRO-R430-S
<b>EAN code Grey</b>	8719747931080
<b>Product code Black (RAL 9011)</b>	PRO-R430-B
<b>EAN code Black</b>	8719747931097
<b>Main materials</b>	Copper + Steel
<b>Inner box / Outer box</b>	1 / 4
<b>Net weight per piece</b>	2760 g
<b>Rated voltage per circuit</b>	230V / 16A

#### Dimensions

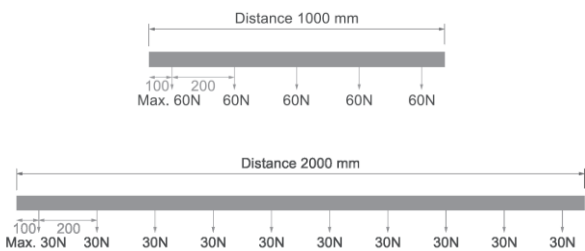


#### Connecting Diagram

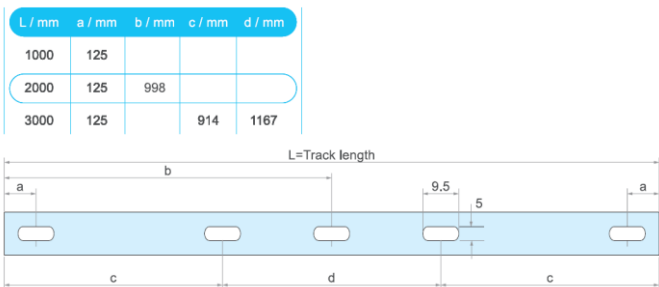
3 circuit DALI track system



#### Mechanical Load Diagram



#### Fixing Point Dimensions



16A