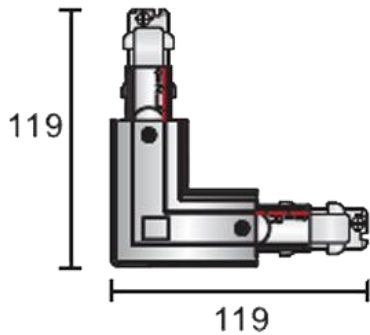


DATASHEET | Connection Parts DALI 3 Circuit – L Connector Left



Product code White (RAL 9010)	PRO-D635L-W
EAN code White	8719747931493
Product code Grey (RAL 7040)	PRO-D635L-S
EAN code Grey	8719747931509
Product code Black (RAL 9011)	PRO-D635L-B
EAN code Black	8719747931516
Main materials	PC UL94V0 + Copper + Steel
Inner box / Outer box	12 / 60
Net weight per piece	125 g
Rated voltage per circuit	230V / 16A

Dimensions



For DALI-control system

Red line on the diagram indicates the polarity ridge.



RoHS



16A