

PINSPOT

TS-00028

Targeted Illumination For Industrial & Hospitality Spaces

The Pinspot fixture is meticulously designed to accommodate our LED AR111 module. Ideal for highlighting specific areas or products, it provides focused illumination while enhancing the aesthetic appeal of industrial and hospitality environments. Available in track mounted and surface mounted options. The Pinspot offers versatility to fit various applications.



Pinspot Lumensheet

| 90CRI 2700K / 350mA / 14W | 20° | 36° | 60° |
|---------------------------|--------|--------|--------|
| DELIVERED OUTPUT | 1350lm | 1379lm | 1399lm |
| 90CRI 3000K / 350mA / 14W | 20° | 36° | 60° |
| DELIVERED OUTPUT | 1401lm | 1430lm | 1451lm |
| 90CRI 4000K / 350mA / 14W | 20° | 36° | 60° |
| DELIVERED OUTPUT | 1468lm | 1499lm | 1521lm |

Product Information

COLOUR OPTIONS



CCT OPTIONS

- 2700K - 3000K - 4000K

BEAM ANGLE OPTIONS

- 20° - 36° - 60°

DIMMING OPTIONS

- SWITCHED - MAINS DIMMABLE
- DALI - CASAMBI

ACCESSORY OPTIONS

- HONEYCOMB - HONEYCOMB & BARNDOORS
- BARNDOORS

IP RATING

- IP20

COUNTRY OF MANUFACTURE

- UNITED KINGDOM 

LIFETIME

- 60,000HRS

CRI

- 90

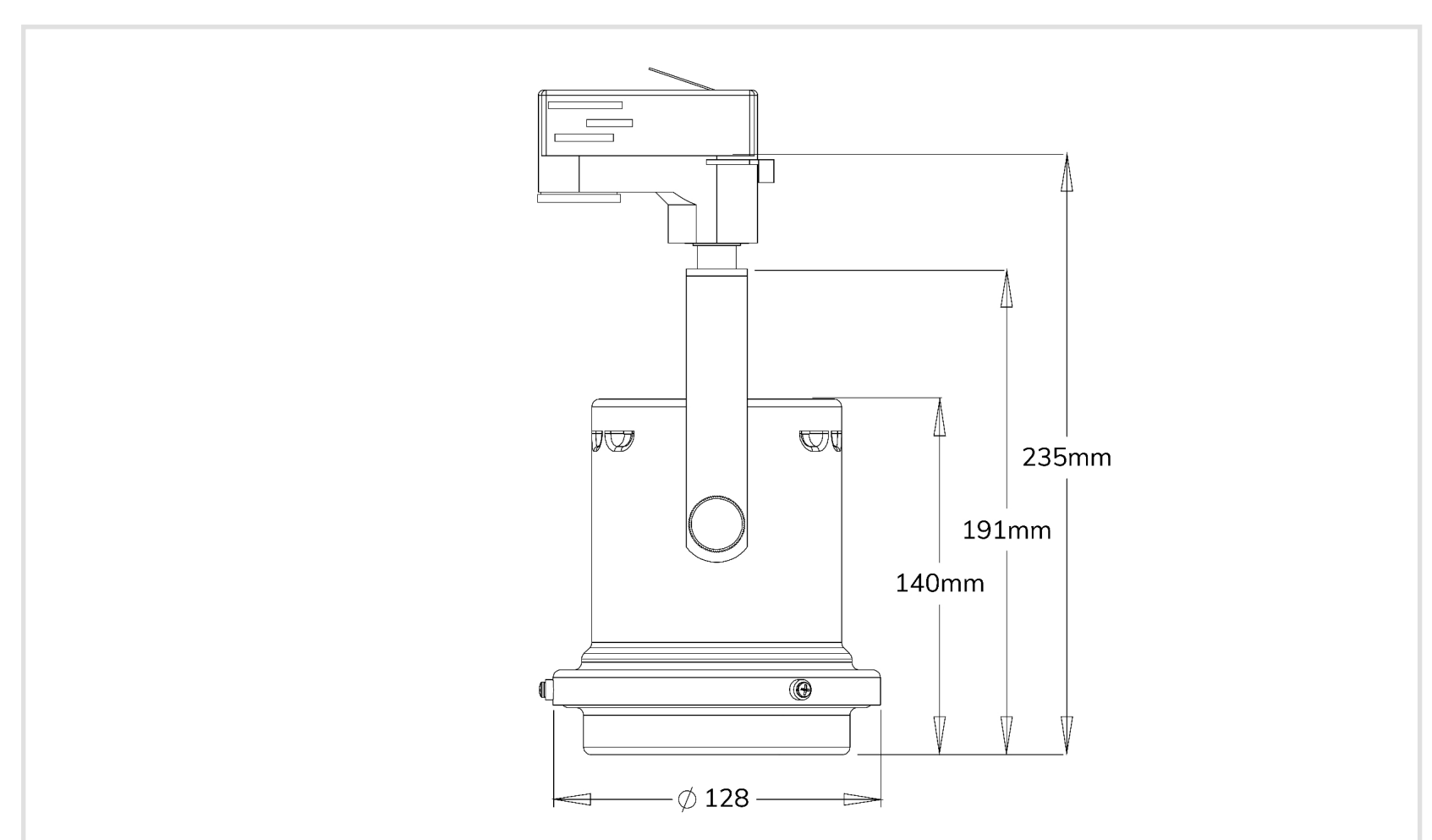
HOUSING MATERIAL

- ALUMINIUM

WARRANTY

- 5 YEARS

Pinspot Dimensions



PINSPOT

TS-00028

